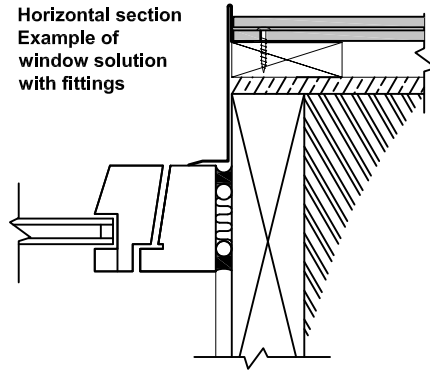
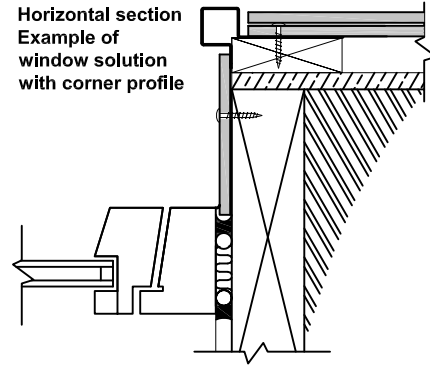


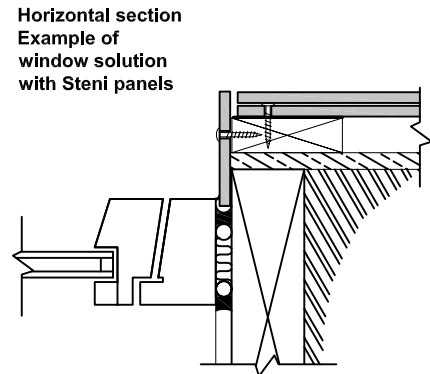
Horizontal section  
Example of  
window solution  
with fittings



Horizontal section  
Example of  
window solution  
with corner profile



Horizontal section  
Example of  
window solution  
with Steni panels



T:\03\_Detaljtegninger\FS detaljer\DWG\FS200\_EN\_02052016.dwg.

**FS 200\_3**

Section of window solution

Issued by/Tegnet av:

JMK

Date of issue/Tegnet dato:

02.05.2016

Scale/Målestokk:

1:5



**steni as**

Tlf.: +47 33155600  
www.steni.com